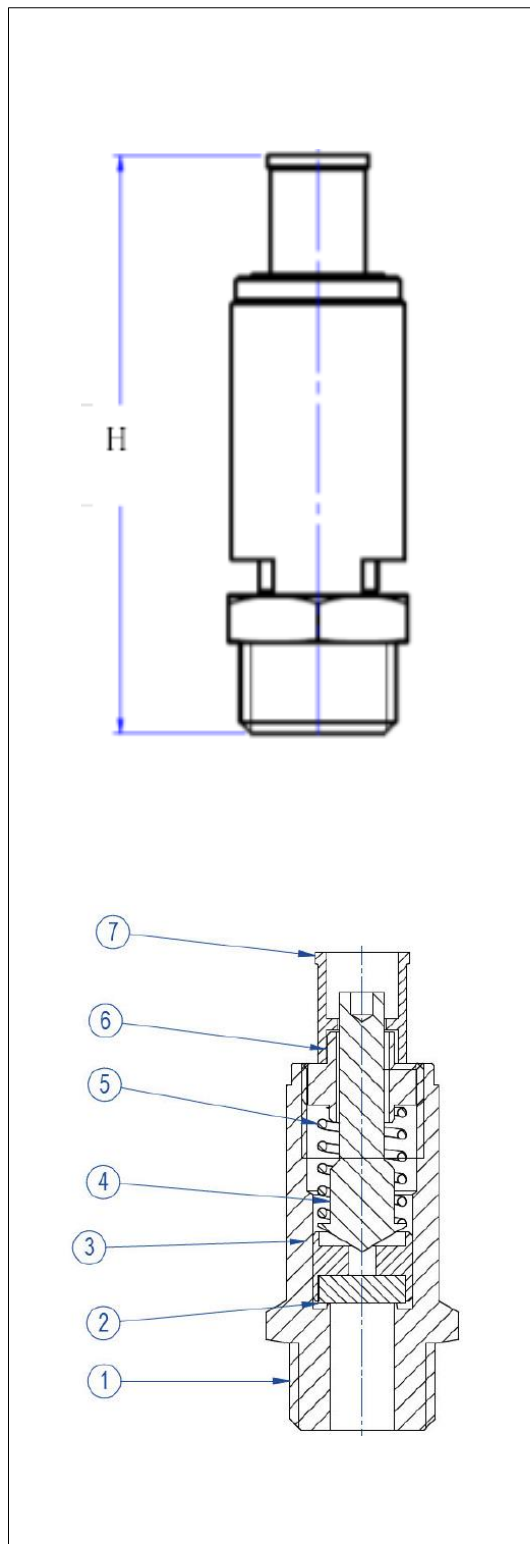


# DATENBLATT / TECHNICAL DATA SHEET TA6AX

Frei abblasendes Sicherheitsventil / Safety valve

Seite 1

Erstellt / made / établi : 16.01.21



**Geeignet für**  
Adapted for  
Convenant pour



Luft  
air  
air

**Zulassung**  
homologation  
homologation



ISO 4126-1 – 2014/68/EU

**Anschlüsse**  
connections  
connexion

1/8"-M, 1/4"-M  
BSP – G

**Nennweite DN**  
nominal Size  
diametres nominal

6 (D0=5,8mm )

**Druckbereich**  
pressure range  
plage de pression

0,5 bar – 15,0 bar

**Werkstoffe**  
material  
matériau

Messing / brass / laiton

**Dichtungen**  
gaskets  
joint

NBR (-10+80°C) / FKM (Viton -10+200°C)

**Temperatur**  
temperature  
température

-10°C – 200°C

**k-Faktor**

0,7

**Abmessungen | dimension | dimension**

| A    | SW (CH)<br>E mm | H mm<br>0,5 – 15bar |  |
|------|-----------------|---------------------|--|
| 1/8" | 15              | 44                  |  |
| 1/4" | 15              | 44                  |  |

SW Schlüsselweite / wrench size / surplat

H Länge / length / longueur

| Pos. / Pos. | Denominazione / Name                | Materiale / Material |
|-------------|-------------------------------------|----------------------|
| 1           | Corpo valvola / Valve body          | EN 12164 CW 614N     |
| 2           | Pastiglia / Pad                     | NBR o FKM            |
| 3           | Otturatore / Shutter                | EN 12164 CW 614N     |
| 4           | Stelo / Rod                         | EN 10263-2-4         |
| 5           | Molla / Spring                      | EN 10270-1-DH        |
| 6           | Vite regolazione / Regulation screw | EN 12164 CW 614N     |
| 7           | Dispositivo di prova / Test device  | EN 12164 CW 614N     |